



SPA FILTRATION PUMP

APPLICATIONS

SPA FILTRATION PUMP

TECHNICAL FEATURES

POMPE BODY IN POLYPROPYLÈNE

INSULATION CLASS 1

COMPLETE ELECTRIC ISOLATION ON THE DRIVING SHAFT SLEEVE

INLET :

Ø EXT. G2" 1/4 MALE
WITH ØINT. 50 OR 1"1/2 FITTING

OUTLET :

Ø EXT. G2" 1/4 MALE
WITH ØINT. 50 OR 1"1/2 FITTING

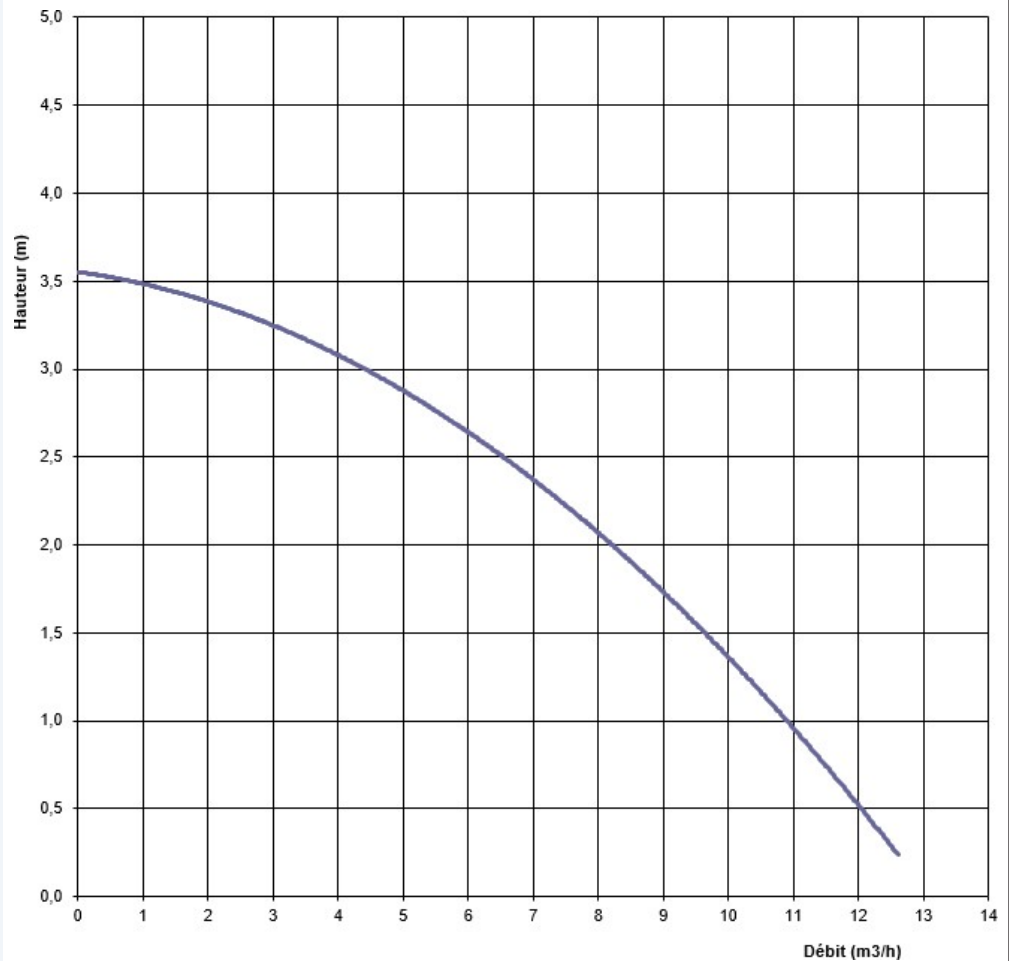
AUTOMATIC MOTOR THERMAL CUT-OUT TO 155°C +/- 5°C

USING RESTRICTION :

MAXIMUM INPUT PRESSURE :
2,5 BAR

MAXIMUM WATER TEMPERATURE : 40°C

TYPE	PUISSANCE ABORSEEE P1 (WATTS)	DEBIT MAX (M3/H)	HMIN (M)
PB 1C450 K1B	218	12.6	0





OPTIONS

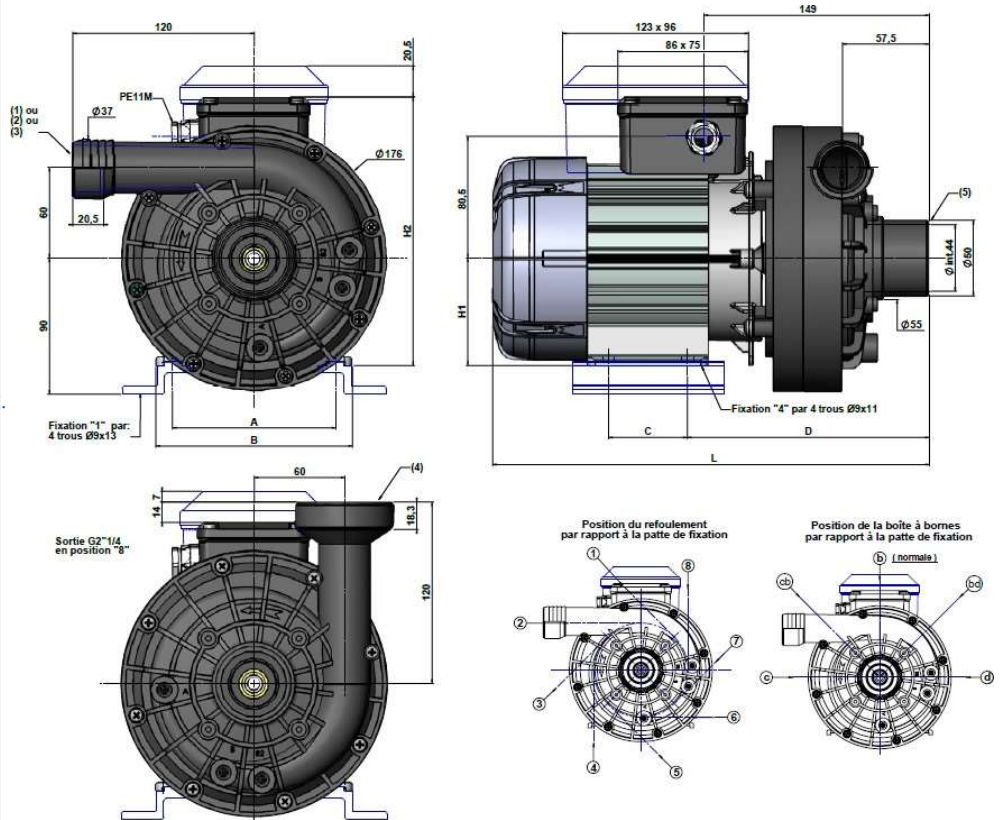
230 V / 50 Hz
220 V / 60 Hz

ELECTRIC CABLE(EC)
0.5 / 1 / 1.5 / 2 / 2.5M

GENERAL :

THESE PUMPS COMPLY WITH THE
STANDARDS AND DIRECTIVES IN FORCE.

CONFORME TO STANDARDS :
EN 60 335 - 1
EN 60 335 - 2 - 41 CE



	Tension Fréquence	L (mm)	A (mm)	B (mm)	C (mm)	D (mm)	H1 (mm)	H2 (mm)
PB 1C450 K1B	230V - 50Hz	278	108	130	32	160.5	71	177.5
	220V - 60Hz							

