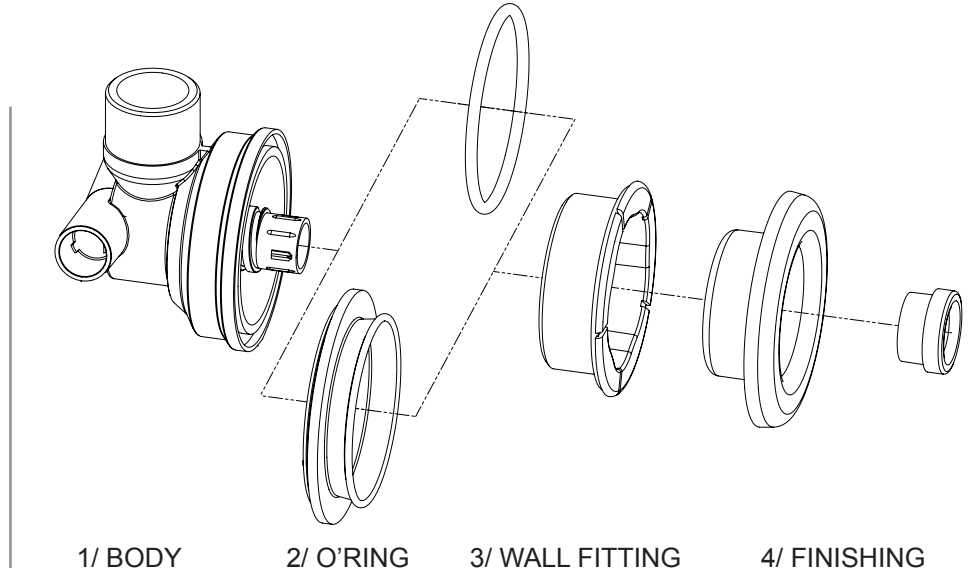

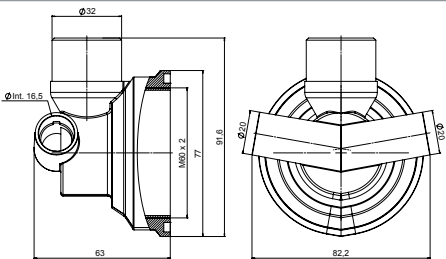

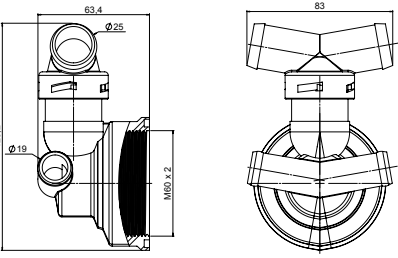

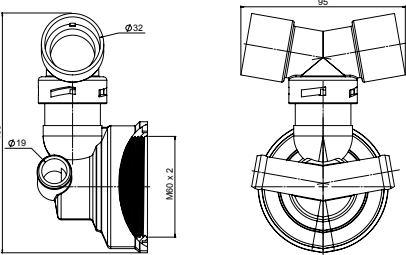




**A technological revolution...
...when the knowledge meets experience**

- 1/ 3 Bodies available :**
Standard body PVC with tee 32 PVC
Standard body PP with tee 32 ABS
Standard body PP with tee 25 PP
- 2/ 2 O'Rings available :**
Standard O'Ring
Wall Fitting O'Ring
- 3/ 1 Wall Fitting :**
Standard Wall fitting
- 4/ Different finishing :**
9 with eye-ball finishing available



Ref	Bodies	Drawings	Technical Features
BODY	Standard  3412581001		Ø of drilling 60mm and 61mm with wall fitting o'ring Baths thickness from 1 to 13 mm 3 different bodies - with tee (Ø 32 x 3 PVC) glued - with tee (Ø 25) ¼ turn click - with tee (Ø 32) ¼ turn click 3 different faces 2 different eye-balls Possibility to regulate the flow Different colours available
	«V» shape Ø25  3412583011*		
	«V» shape Ø32  3412582011*		

* : wall-fitting included

Ref	Standard O'Ring	Wall Fitting O'Ring	Ref	Standard Wall Fitting
O'RING	 2917640008 64x4 NBR 70 shores	 2917600001 Silicone useless	WALL FITTING	 3612580002 20 mm threaded Bath thickness from 3 to 13 mm with standard o'ring and 1 to 11 mm with wall fitting o'ring

FINISHING

FACES
STANDARD

FACES
FLOWER

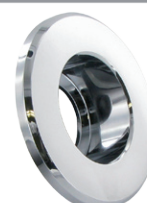
FACES
PREMIUM



3711801003 - Ø80



3711801013 - Ø80



3711801023 - Ø80

Eye-ball : Standard



3811271003

5211801003

5211802003

5211803003

Eye-ball : Flower



3811271013

5211801013

5211802013

5211803013

ACCESSORIES*

Types

Ref.

Illustrations

Tee PVC (ø32 x 3)

1172320008



**CONNECTIONS
Standard Body**

Elbow PVC (ø32 x 2)

1112320038



Union PVC (ø20 x 2)

1112200018



**CONNECTIONS
«V» shape Body**

Elbow PP ø25 ¼ turn

1172420011



Elbow ABS ø32 ¼ turn

1172430011



TOOL

Tool for Standard wall fitting

3012000078

